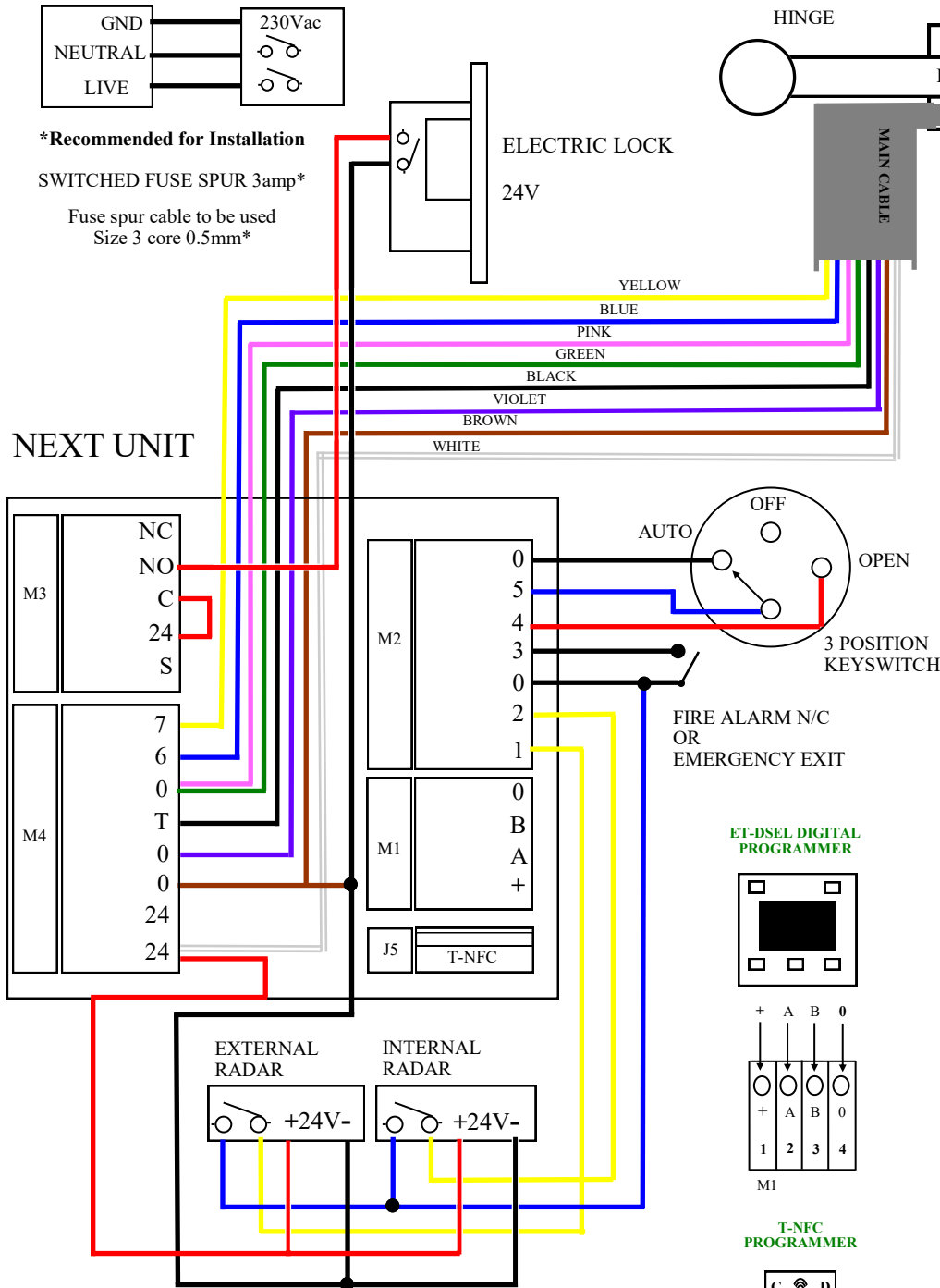
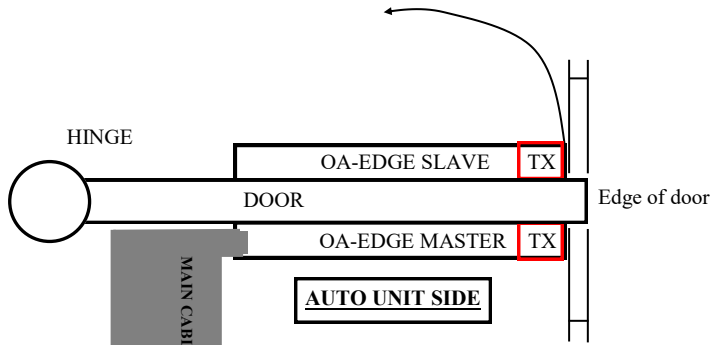


LABEL UK
Faraday Drive, Bridgnorth, Shropshire, WV15 5BQ
Tel: 01746 768227 Fax: 01746 767565



OPENING SIDE



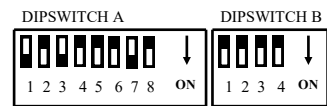
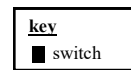
USE ET-DSEL OR T-NFC TO SET FUNCTION SWITCHES

F07 ON BATTERY PACK INSTALLED (BAT-NEXT)

- F11 ON OPENING SAFETY SENSOR
- F12 ON CLOSING SAFETY SENSOR
- F13 ON TEST FOR CLOSING SAFETY SENSOR
- F14 ON TEST FOR OPENING SAFETY SENSOR
- F15 ON OFF

Installation OA-EDGE T

MASTER DIP SWITCH SETTINGS



Note: Master module is situated on the auto unit side
Note: TX is always on the leading edge

1. Select the mounting side for Master and Slave: Opening side dipswitch: DIPSWITCH B 4 =OFF Closing side dipswitch: DIPSWITCH B 4 =ON

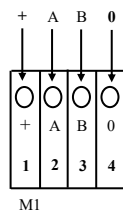
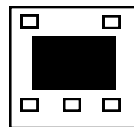
SLAVE DIP SWITCH SETTINGS



2. Select dip switch settings for requirement and then push the function switch for 5 seconds until LED indicator on the unit turns off
3. Wait until the LED indicator on the unit comes back on
4. Push the function switch again for 1 second. Wait until green solid light then the sensor is set up and ready

****NOTE - use either T-NFC or ET-DSEL Not plugged in together**

ET-DSEL DIGITAL PROGRAMMER



T-NFC PROGRAMMER



T-NFC J5

FOR ALL OTHER SENSOR FUNCTIONAL SETTINGS PLEASE REFER TO THE INSTRUCTIONS SUPPLIED WITH OA-EDGE SENSOR FOR ALL OTHER NEXT FUNCTION SWITCH SETTINGS PLEASE REFER TO INSTALLATION MANUAL