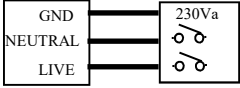


NEXT 75/120/150 (SYNCRONISED PAIR) OA-EDGE T SENSORS / 3 POSITION KEYSWITCH

LABEL UK
Faraday Drive, Bridgnorth, Shropshire, WV15 5BQ
Tel: 01746 768227 E-mail: sales@labeluk.com

***Recommended for Installation**



SWITCHED FUSE SPUR
3amp*

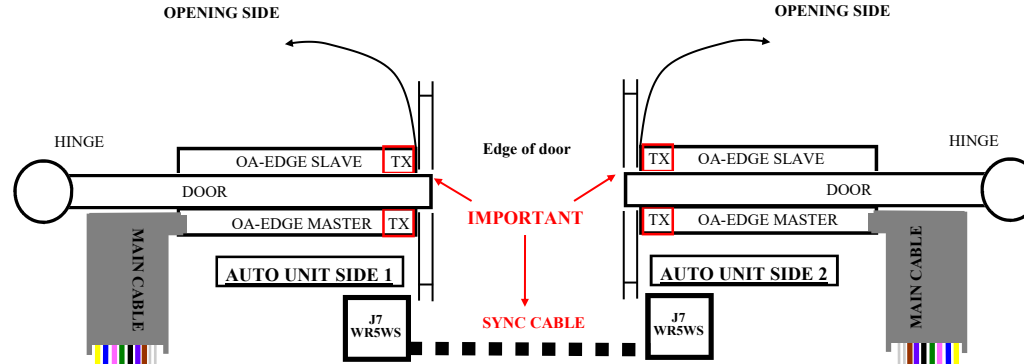
Fuse spur cable to be used
Size 3 core 0.5*

***Recommended for Installation**



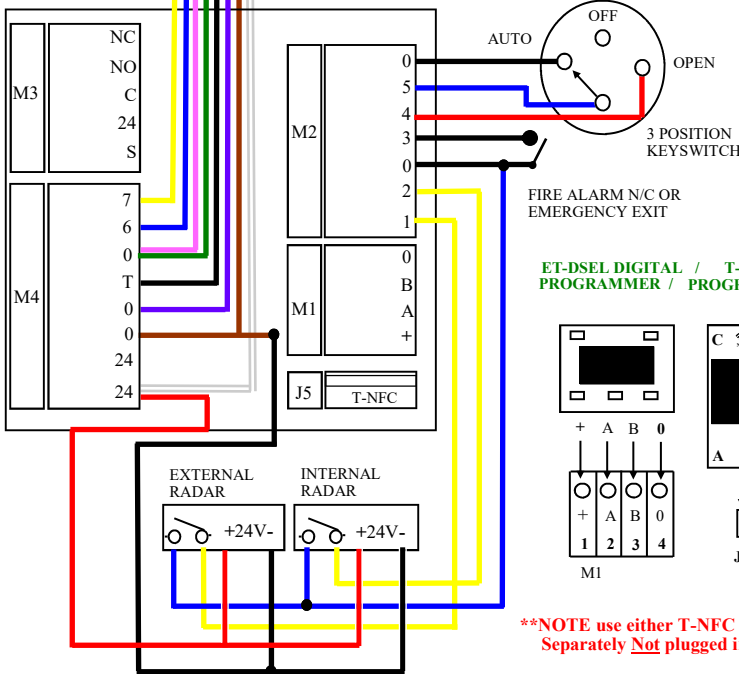
SWITCHED FUSE SPUR
3amp*

Fuse spur cable to be used
Size 3 core 0.5*



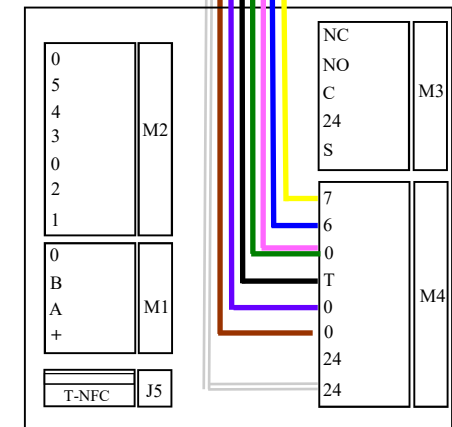
Note: OA-EDGE T Master module is situated on the auto unit side
Note: TX is always on the leading edge

NEXT UNIT 1



****NOTE** use either T-NFC or ET-DSEL
Separately Not plugged in together

NEXT UNIT 2



NEXT UNIT 1

USE ET-DSEL OR T-NFC TO SET FUNCTION SWITCHES

- F07 ON - BATTERY PACK INSTALLED (BAT-NEXT)**
F11 ON OPENING SAFETY SENSOR
F12 ON CLOSING SAFETY SENSOR
F13 ON TEST FOR CLOSING SAFETY SENSOR
F14 ON TEST FOR OPENING SAFETY SENSOR
F15 ON OFF

NEXT UNIT 2

USE ET-DSEL OR T-NFC TO SET FUNCTION SWITCHES

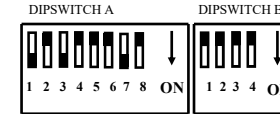
- F07 ON - BATTERY PACK INSTALLED (BAT-NEXT)**
F11 ON OPENING SAFETY SENSOR
F12 ON CLOSING SAFETY SENSOR
F13 ON TEST FOR CLOSING SAFETY SENSOR
F14 ON TEST FOR OPENING SAFETY SENSOR
F15 ON OFF

**** ON NEXT UNIT 2 LOGIC BOARD BEFORE SET UP PUT SW1 SWITCH 2 ON**

**** WHEN INSTALLING ON A DOUBLE SWING DOOR MAKE SURE THE FREQUENCY ON EACH SENSOR IS SET DIFFERENTLY (DIPSWITCH A2) ON OA-EDGE T SENSORS**

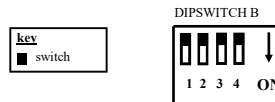
Installation OA-EDGE T Settings NEXT UNIT 1 & 2

MASTER DIP SWITCH SETTINGS



- Select the mounting side for Master and Slave:
Opening side dipswitch: DIPSWITCH B 4 = OFF
Closing side dipswitch: DIPSWITCH B 4 = ON

SLAVE DIP SWITCH SETTINGS



- Select dip switch settings for requirement and then push the function switch ON MASTER for 5 seconds until LED indicator on the unit turns off
- Wait until the LED indicator on the unit comes back on
- Push the function switch again for 1 second Wait until green solid light then the sensor is set up and ready

**FOR ALL OTHER SENSOR FUNCTIONAL SETTINGS PLEASE REFER TO THE INSTRUCTIONS SUPPLIED WITH OA-EDGE SENSOR
FOR ALL OTHER NEXT FUNCTION SWITCH SETTINGS PLEASE REFER TO INSTALLATION MANUAL**