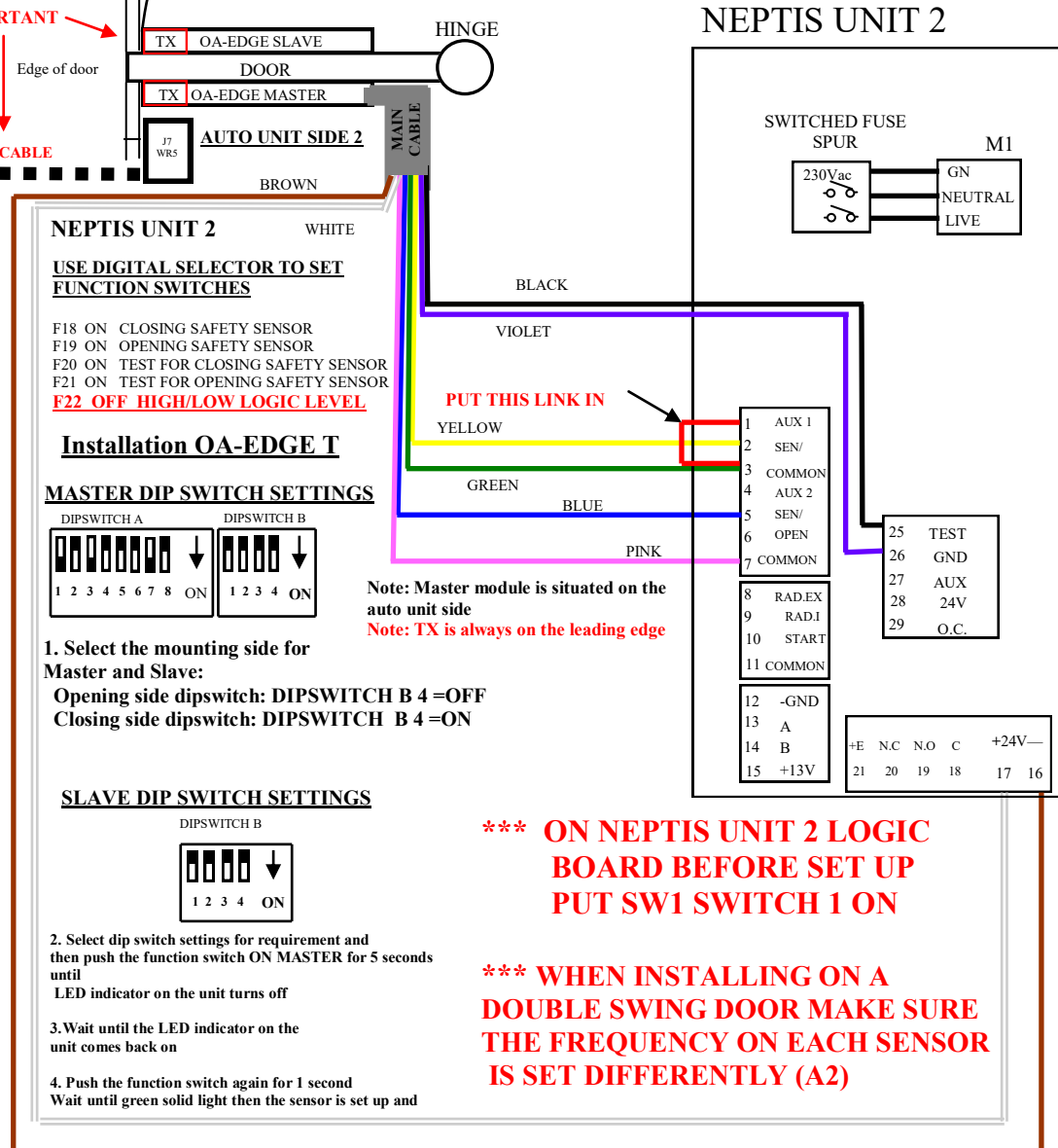
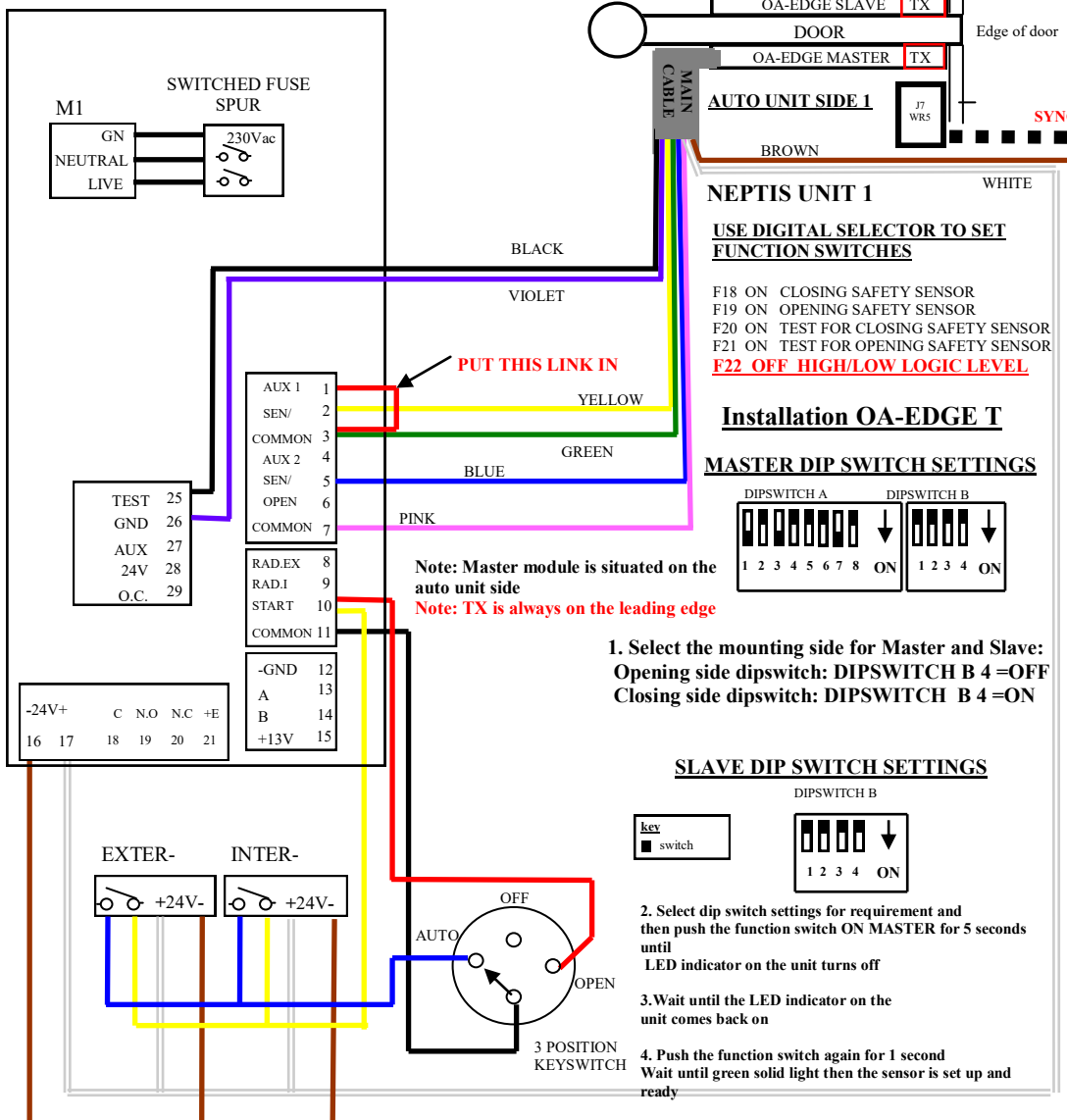


NEPTIS 16005 LET/SLT (SYNCRONISED PAIR) OA-EDGE T WITH 3 POSITION KEYSWITCH

NEPTIS UNIT 1



***** ON NEPTIS UNIT 2 LOGIC BOARD BEFORE SET UP PUT SW1 SWITCH 1 ON**

***** WHEN INSTALLING ON A DOUBLE SWING DOOR MAKE SURE THE FREQUENCY ON EACH SENSOR IS SET DIFFERENTLY (A2)**

**FOR ALL OTHER SENSOR FUNCTIONAL SETTINGS PLEASE REFER TO THE INSTRUCTIONS SUPPLIED WITH OA-EDGE SENSOR
FOR ALL OTHER NEPTIS FUNCTION SWITCH SETTINGS PLEASE REFER TO INSTALLATION MANUAL**