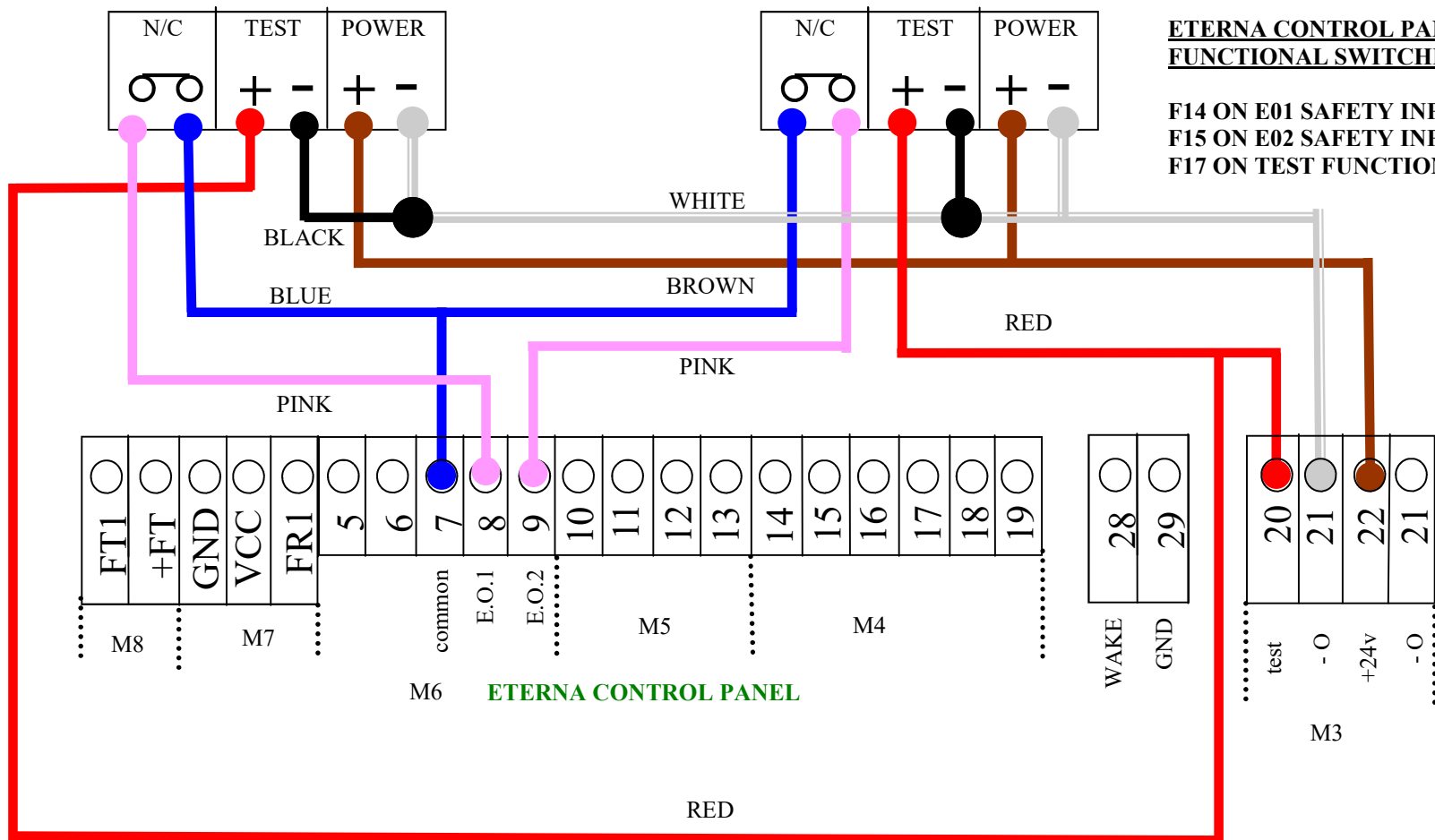


ETERNA WIRING DIAGRAM FOR PRESENCE 'TN' 2 SIDE SCREEN SAFETY

INITIAL BASIC SET UP PLEASE REFER TO MANUAL FOR MORE INFORMATION

PRESENCE TN SENSORS ONLY

SENSOR 1 **SENSOR 2**



SENSOR DIP SWITCHES

DIP 8 ON TEST INPUT LOW

ETERNA CONTROL PANEL FUNCTIONAL SWITCHES

F14 ON E01 SAFETY INPUT SENSOR 1
F15 ON E02 SAFETY INPUT SENSOR 2
F17 ON TEST FUNCTION

FOR ALL OTHER SENSOR FUNCTIONAL SETTINGS
PLEASE REFER TO THE INSTRUCTIONS SUPPLIED WITH THE OA-PRESENCE TN SENSOR
FOR ALL OTHER ETERNA FUNCTION SWITCH SETTINGS PLEASE REFER TO THE INSTALLATION MANUAL