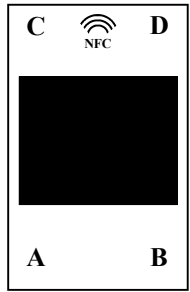


ETERNA WIRING DIAGRAM FOR ACTIVATION SENSORS USING **DUAL 'T'** DIGITAL PROGRAMMER/MECHANICAL KEY SELECTOR

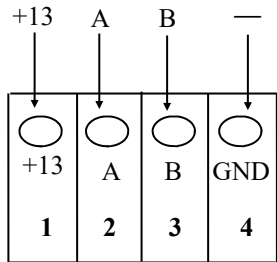
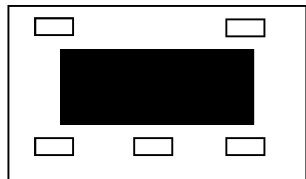
OAM DUAL T SENSORS ONLY

T-NFC PROGRAMMER



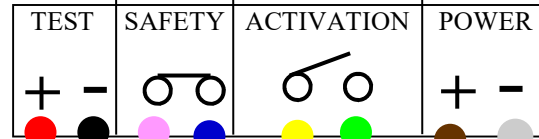
****NOTE - use either T-NFC or ET-DSEL not together**

ET-DSEL DIGITAL PROGRAMMER



M8

INTERNAL SENSOR 1

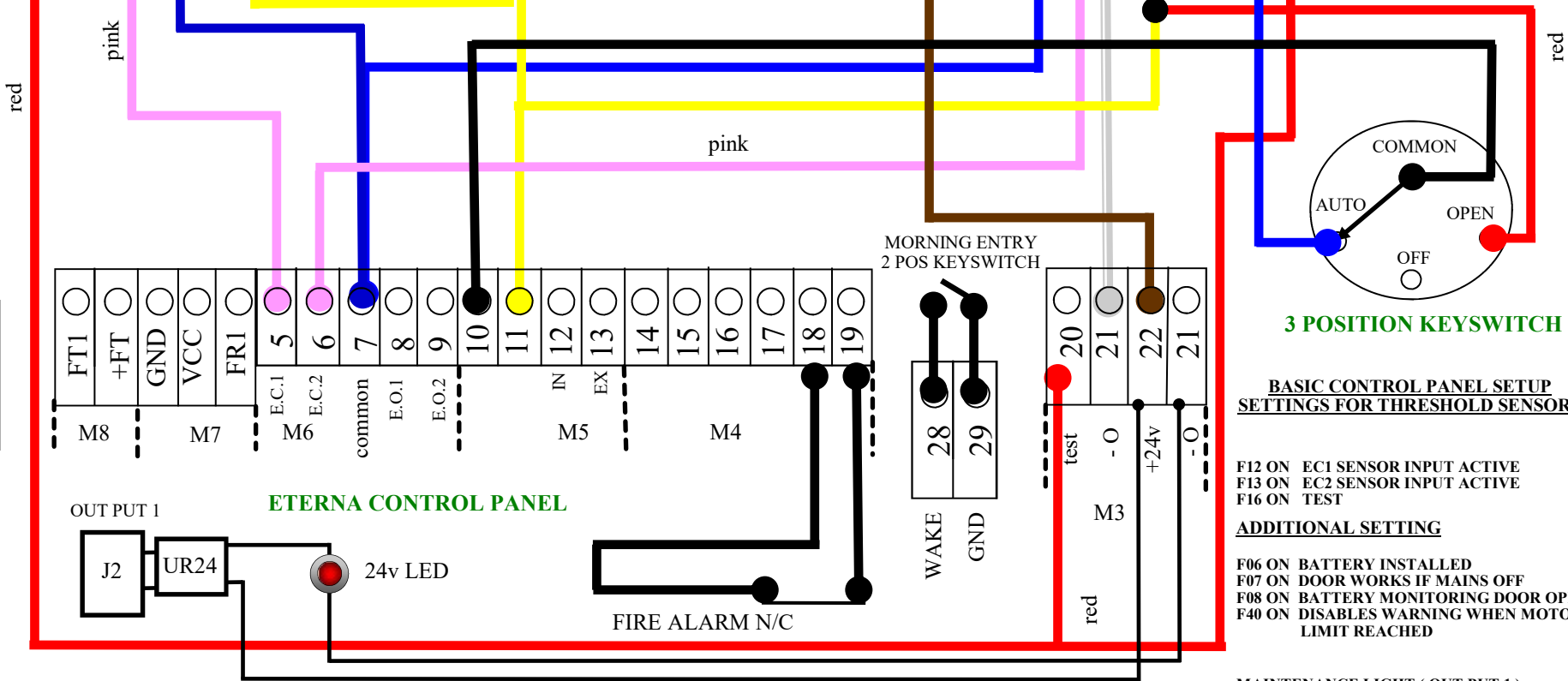
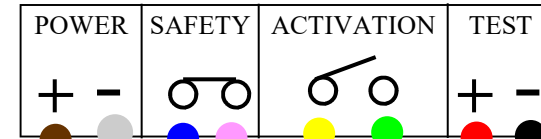


DIP SWITCH SETTINGS FOR BASIC SENSORS SETUP

**DIP 1 ON SENSITIVITY
DIP 8 ON TEST INPUT
DIP 11 ON GHOSTING**

[See instruction manual for more information]

EXTERNAL SENSOR 2



3 POSITION KEYSWITCH

BASIC CONTROL PANEL SETUP SETTINGS FOR THRESHOLD SENSORS

F12 ON EC1 SENSOR INPUT ACTIVE
F13 ON EC2 SENSOR INPUT ACTIVE
F16 ON TEST

ADDITIONAL SETTING

F06 ON BATTERY INSTALLED
F07 ON DOOR WORKS IF MAINS OFF
F08 ON BATTERY MONITORING DOOR OPENS
F40 ON DISABLES WARNING WHEN MOTOR LIMIT REACHED

MAINTENANCE LIGHT (OUT PUT 1)

SWITCH ON F41 G
Activates light when maintenance is required

[Set maintenance schedule P48]

FOR ALL OTHER SENSOR FUNCTIONAL SETTINGS
PLEASE REFER TO THE INSTRUCTIONS SUPPLIED WITH THE OAM DUAL T SENSOR
FOR ALL OTHER ETERNA FUNCTION SWITCH SETTINGS PLEASE REFER
TO THE INSTALLATION MANUAL